

International Telecommunication Union

**ITU-T**

TELECOMMUNICATION  
STANDARDIZATION SECTOR  
OF ITU

**G.984.5**

(05/2014)

SERIES G: TRANSMISSION SYSTEMS AND MEDIA,  
DIGITAL SYSTEMS AND NETWORKS

Digital sections and digital line system – Optical line  
systems for local and access networks

---

**Gigabit-capable passive optical networks  
(GPON): Enhancement band**

Recommendation ITU-T G.984.5

ITU-T



ITU-T G-SERIES RECOMMENDATIONS

**TRANSMISSION SYSTEMS AND MEDIA, DIGITAL SYSTEMS AND NETWORKS**

INTERNATIONAL TELEPHONE CONNECTIONS AND CIRCUITS	G.100–G.199
GENERAL CHARACTERISTICS COMMON TO ALL ANALOGUE CARRIER-TRANSMISSION SYSTEMS	G.200–G.299
INDIVIDUAL CHARACTERISTICS OF INTERNATIONAL CARRIER TELEPHONE SYSTEMS ON METALLIC LINES	G.300–G.399
GENERAL CHARACTERISTICS OF INTERNATIONAL CARRIER TELEPHONE SYSTEMS ON RADIO-RELAY OR SATELLITE LINKS AND INTERCONNECTION WITH METALLIC LINES	G.400–G.449
COORDINATION OF RADIOTELEPHONY AND LINE TELEPHONY	G.450–G.499
TRANSMISSION MEDIA AND OPTICAL SYSTEMS CHARACTERISTICS	G.600–G.699
DIGITAL TERMINAL EQUIPMENTS	G.700–G.799
DIGITAL NETWORKS	G.800–G.899
DIGITAL SECTIONS AND DIGITAL LINE SYSTEM	G.900–G.999
General	G.900–G.909
Parameters for optical fibre cable systems	G.910–G.919
Digital sections at hierarchical bit rates based on a bit rate of 2048 kbit/s	G.920–G.929
Digital line transmission systems on cable at non-hierarchical bit rates	G.930–G.939
Digital line systems provided by FDM transmission bearers	G.940–G.949
Digital line systems	G.950–G.959
Digital section and digital transmission systems for customer access to ISDN	G.960–G.969
Optical fibre submarine cable systems	G.970–G.979
<b>Optical line systems for local and access networks</b>	<b>G.980–G.989</b>
Metallic access networks	G.990–G.999
MULTIMEDIA QUALITY OF SERVICE AND PERFORMANCE – GENERIC AND USER-RELATED ASPECTS	G.1000–G.1999
TRANSMISSION MEDIA CHARACTERISTICS	G.6000–G.6999
DATA OVER TRANSPORT – GENERIC ASPECTS	G.7000–G.7999
PACKET OVER TRANSPORT ASPECTS	G.8000–G.8999
ACCESS NETWORKS	G.9000–G.9999

*For further details, please refer to the list of ITU-T Recommendations.*

# Recommendation ITU-T G.984.5

## Gigabit-capable passive optical networks (GPON): Enhancement band

### Summary

Recommendation ITU-T G.984.5 defines wavelength ranges reserved for additional service signals to be overlaid via wavelength division multiplexing (WDM) in future passive optical networks (PON) for maximizing the value of optical distribution networks (ODNs).

### History

Edition	Recommendation	Approval	Study Group	Unique ID*
1.0	ITU-T G.984.5	2007-09-22	15	<a href="http://handle.itu.int/11.1002/1000/9185">11.1002/1000/9185</a>
1.1	ITU-T G.984.5 (2007) Amd.1	2009-10-09	15	<a href="http://handle.itu.int/11.1002/1000/10543">11.1002/1000/10543</a>
2.0	ITU-T G.984.5	2014-05-14	15	<a href="http://handle.itu.int/11.1002/1000/12184">11.1002/1000/12184</a>

---

\* To access the Recommendation, type the URL <http://handle.itu.int/> in the address field of your web browser, followed by the Recommendation's unique ID. For example, <http://handle.itu.int/11.1002/1000/11830-en>.

## FOREWORD

The International Telecommunication Union (ITU) is the United Nations specialized agency in the field of telecommunications, information and communication technologies (ICTs). The ITU Telecommunication Standardization Sector (ITU-T) is a permanent organ of ITU. ITU-T is responsible for studying technical, operating and tariff questions and issuing Recommendations on them with a view to standardizing telecommunications on a worldwide basis.

The World Telecommunication Standardization Assembly (WTSA), which meets every four years, establishes the topics for study by the ITU-T study groups which, in turn, produce Recommendations on these topics.

The approval of ITU-T Recommendations is covered by the procedure laid down in WTSA Resolution 1.

In some areas of information technology which fall within ITU-T's purview, the necessary standards are prepared on a collaborative basis with ISO and IEC.

## NOTE

In this Recommendation, the expression "Administration" is used for conciseness to indicate both a telecommunication administration and a recognized operating agency.

Compliance with this Recommendation is voluntary. However, the Recommendation may contain certain mandatory provisions (to ensure, e.g., interoperability or applicability) and compliance with the Recommendation is achieved when all of these mandatory provisions are met. The words "shall" or some other obligatory language such as "must" and the negative equivalents are used to express requirements. The use of such words does not suggest that compliance with the Recommendation is required of any party.

## INTELLECTUAL PROPERTY RIGHTS

ITU draws attention to the possibility that the practice or implementation of this Recommendation may involve the use of a claimed Intellectual Property Right. ITU takes no position concerning the evidence, validity or applicability of claimed Intellectual Property Rights, whether asserted by ITU members or others outside of the Recommendation development process.

As of the date of approval of this Recommendation, ITU had not received notice of intellectual property, protected by patents, which may be required to implement this Recommendation. However, implementers are cautioned that this may not represent the latest information and are therefore strongly urged to consult the TSB patent database at <http://www.itu.int/ITU-T/ipr/>.

© ITU 2014

All rights reserved. No part of this publication may be reproduced, by any means whatsoever, without the prior written permission of ITU.

## Table of Contents

	<b>Page</b>
1 Scope.....	1
2 References.....	1
3 Definitions .....	2
3.1 Terms defined elsewhere .....	2
3.2 Terms defined in this Recommendation.....	2
4 Abbreviations and acronyms .....	2
5 Conventions .....	3
6 Reference architecture .....	3
7 Operating wavelength.....	6
8 X/S tolerance of G-PON ONU .....	8
Appendix I – Example of WDM1, WDM1r, CEx and CEMx characteristics.....	10
Appendix II – Examples of wavelength allocation for NGA services and video distribution services .....	23
II.1 Introduction .....	23
II.2 Case 1: Integrated filter for video.....	23
Appendix III – Methods for calculating required isolation for WDM/CE/CEM devices.....	27



# Recommendation ITU-T G.984.5

## Gigabit-capable passive optical networks (GPON): Enhancement band

### 1 Scope

The purpose of this Recommendation is to define wavelength ranges reserved for additional service signals to be overlaid via wavelength division multiplexing (WDM) in future gigabit-capable passive optical networks (G-PON) for maximizing the value of optical distribution networks (ODNs). Other PON systems, such as B-PON, have wavelength plans based on [ITU-T G.983.3], which includes existing options for enhancement bands. This Recommendation also defines further wavelength ranges reserved for additional service signals to be overlaid via WDM in future PONs whose wavelength allocations are based on [ITU-T G.983.3].

For this purpose, this Recommendation defines and provides:

- wavelength ranges to be reserved; and
- X/S tolerance in PON optical network units (ONUs).

Appendices I, II and III provide:

- sample parameters of a discrete WDM filter that combines and isolates the G-PON up/down signals and enhancement bands at the OLT side;
- examples of wavelength allocation for NGA services and video distribution services;
- methods for calculating required isolation for WDM/CE/CEM devices.

The physical media dependent (PMD) layer specification for G-PON in the absence of an enhancement band is defined in [ITU-T G.984.2]. PMD layer specifications for G-PON in the presence of enhancement bands are defined by the combination of [ITU-T G.984.2] and this Recommendation. Whenever a parameter specified in [ITU-T G.984.2] is not explicitly mentioned in this Recommendation, its value given in [ITU-T G.984.2] remains valid. Whenever a parameter is specified in both this Recommendation and [ITU-T G.984.2], the specification in this Recommendation takes precedence.

### 2 References

The following ITU-T Recommendations and other references contain provisions which, through reference in this text, constitute provisions of this Recommendation. At the time of publication, the editions indicated were valid. All Recommendations and other references are subject to revision; users of this Recommendation are therefore encouraged to investigate the possibility of applying the most recent edition of the Recommendations and other references listed below. A list of the currently valid ITU-T Recommendations is regularly published. The reference to a document within this Recommendation does not give it, as a stand-alone document, the status of a Recommendation.

- [ITU-T G.652] Recommendation ITU-T G.652 (2009), *Characteristics of a single-mode optical fibre and cable*.
- [ITU-T G.671] Recommendation ITU-T G.671 (2012), *Transmission characteristics of optical components and subsystems*.
- [ITU-T G.983.1] Recommendation ITU-T G.983.1 (2005), *Broadband optical access systems based on Passive Optical Networks (PON)*.
- [ITU-T G.983.3] Recommendation ITU-T G.983.3 (2001), *A broadband optical access system with increased service capability by wavelength allocation*.

- [ITU-T G.984.2] Recommendation ITU-T G.984.2 (2003), *Gigabit-capable Passive Optical Networks (G-PON): Physical Media Dependent (PMD) layer specification.*
- [ITU-T G.987] Recommendation ITU-T G.987 (2012), *10-Gigabit-capable passive optical network (XG-PON) systems: Definitions, abbreviations and acronyms.*
- [ITU-T G.987.2] Recommendation ITU-T G.987.2 (2010), *10-Gigabit-capable passive optical networks (XG-PON): Physical media dependent (PMD) layer specification.*
- [ITU-T G.989] Recommendation ITU-T G.989 (2014), *40-Gigabit-capable passive optical network (NG-PON2) systems: Definitions, abbreviations and acronyms.*
- [ITU-T G.989.1] Recommendation ITU-T G.989.1 (2013), *40-Gigabit-capable passive optical networks (NG-PON2): General requirements.*
- [ITU-T L.66] Recommendation ITU-T L.66 (2007), *Optical fibre cable maintenance criteria for in-service fibre testing in access networks.*

### 3 Definitions

This Recommendation makes frequent use of the terms defined in [ITU-T G.983.1], [ITU-T G.983.3] and [ITU-T G.984.2]. For purposes of convenience, the main definitions related to the G-PON enhancement bands are reported in this clause.

#### 3.1 Terms defined elsewhere

This Recommendation uses the following terms defined elsewhere:

- 3.1.1 optical distribution network (ODN):** [ITU-T G.984.2].
- 3.1.2 optical line termination (OLT):** [ITU-T G.984.2].
- 3.1.3 optical network unit (ONU):** [ITU-T G.984.2].
- 3.1.4 wavelength division multiplexing (WDM):** [ITU-T G.984.2].
- 3.1.5 10-Gigabit-capable passive optical network (XG-PON):** [ITU-T G.987].
- 3.1.6 TWDM PON:** [ITU-T G.989].
- 3.1.7 PtP WDM PON:** [ITU-T G.989].
- 3.1.8 NG-PON2:** [ITU-T G.989].
- 3.1.9 coexistence element (CE):** [ITU-T G.989].
- 3.1.10 wavelength multiplexer (WM):** [ITU-T G.989].

#### 3.2 Terms defined in this Recommendation

This Recommendation defines the following terms:

- 3.2.1 next generation access (NGA):** A possible new optical access system that coexists with G-PON on the same ODN.
- 3.2.2 wavelength blocking filter (WBF):** An optical filter to prevent an optical receiver from receiving unwanted optical signals with different wavelengths.

### 4 Abbreviations and acronyms

This Recommendation uses the following abbreviations and acronyms:

- B-PON      Broadband Passive Optical Network
- CE          Coexistence Element



CEM	Coexistence Element/Multiplexer
CNR	Carrier-to-Noise Ratio
DBA	Determined By Application
DFB	Distributed Feedback Laser
G-PON	Gigabit-capable Passive Optical Network
NRZ	Non Return to Zero
NG-PON2	Next Generation Passive Optical Network phase 2
NGA	Next Generation Access
OAN	Optical Access Network
ODN	Optical Distribution Network
OLT	Optical Line Termination
ONU	Optical Network Unit
OTDR	Optical Time Domain Reflectometer
PMD	Physical Media Dependent
PON	Passive Optical Network
PtP WDM	Point-to-Point Wavelength Division Multiplexing
RF	Radio Frequency
TWDM	Time and Wavelength Division Multiplexing
WBF	Wavelength Blocking Filter
WDM	Wavelength Division Multiplexing
WM	Wavelength Multiplexer
XG-PON	10-Gigabit-capable Passive Optical Network.

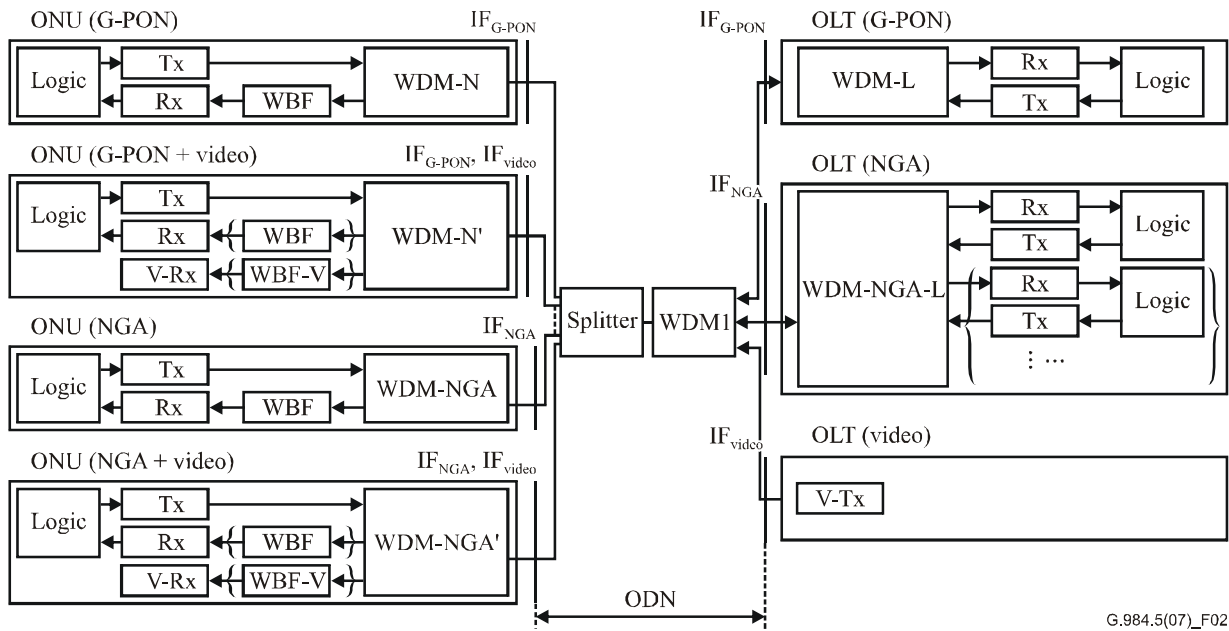
## **5 Conventions**

None.

## **6 Reference architecture**

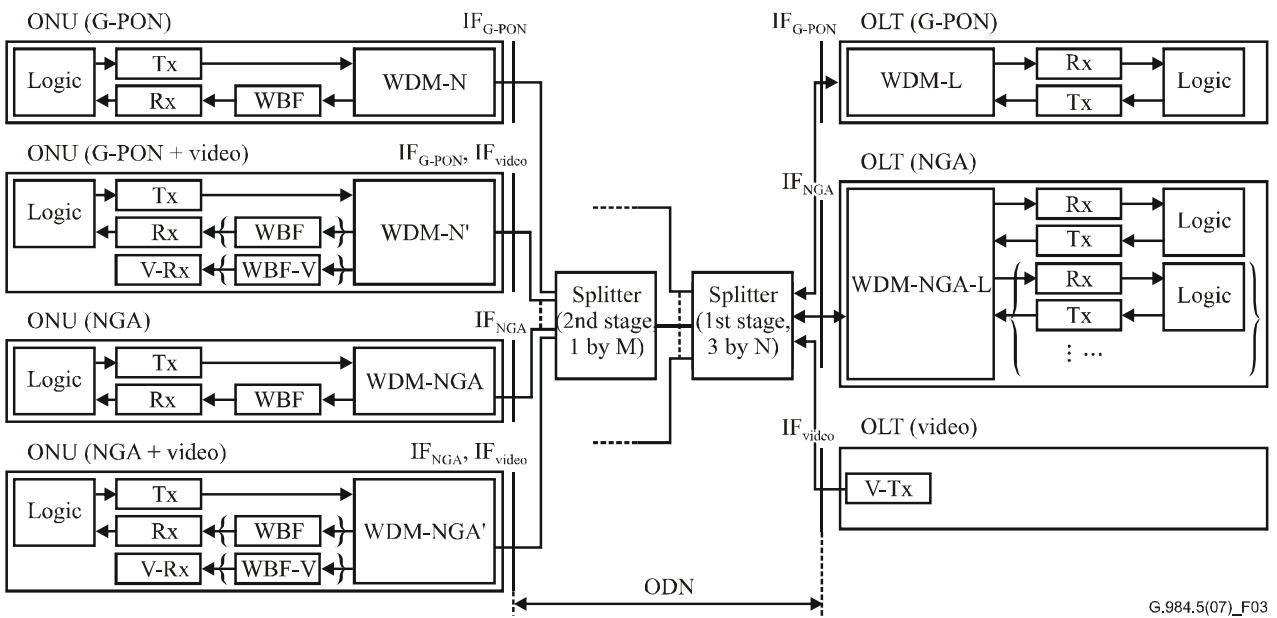
Figure 1 (reproduced for convenience from Figure 5 of [ITU-T G.983.1]) shows the generic physical configuration of an optical access network.





(NOTE – WDM1 can be replaced by WDM1r, CE or CEM.)

**Figure 2 – Optical access network architecture reference diagram 1**



**Figure 3 – Optical access network architecture reference diagram 2**

The following abbreviations are used in Figures 2 and 3:

- CE                    Coexistence element that may be located in the central office to combine/isolate the wavelengths of NG-PON2 and legacy PON signals and which occasionally combines the video signals and/or OTDR signals
- CEM                  Coexistence element that may be located in the central office to combine/isolate the wavelengths of TWDM PON, PtP WDM PON and legacy PON signals and which occasionally combines the video signals and/or OTDR signals
- Rx                    Optical receiver
- Tx                    Optical transmitter
- V-Rx                Video receiver

V-Tx	Video transmitter
WBF	Wavelength blocking filter for blocking interference signals to Rx
WBF-V	Wavelength blocking filter for blocking interference signals to V-Rx
WDM-N	WDM filter in G-PON ONU to combine/isolate the wavelengths of G-PON upstream and downstream
WDM-N'	WDM filter in G-PON ONU to combine/isolate the wavelengths of G-PON upstream and downstream and isolate the video signal(s)
WDM-NGA	WDM filter in NGA ONU to combine/isolate the wavelengths of NGA upstream and downstream
WDM-NGA'	WDM filter in NGA ONU to combine/isolate the wavelengths of NGA upstream and downstream and isolate the video signal(s)
WDM-L	WDM filter in G-PON OLT to combine/isolate the wavelengths of G-PON upstream and downstream
WDM-NGA-L	WDM filter in NGA OLT to combine/isolate the wavelengths of NGA upstream and downstream of one or more channels
WDM1	WDM filter that may be located in the central office to combine/isolate the wavelengths of G-PON and NGA signals and which occasionally combines the video signals and/or OTDR signals
WDM1r	WDM filter that may be located in the central office to combine/isolate the wavelengths of G-PON and XG-PON signals and which occasionally combines the video signals and/or OTDR signals.

## 7 Operating wavelength

The wavelength range of the G-PON downstream signal (single fibre system) is specified in [ITU-T G.984.2] as 1480 nm to 1500 nm and that of the G-PON upstream signal as 1260 nm to 1360 nm. This Recommendation redefines the reserved wavelength range and specifies the tolerance for interference signals of G-PON ONUs to enable the coexistence of G-PON and additional services including NGA and video services.

Figure 4 and Table 1 define the wavelength allocation plan including the wavelength bands reserved for additional services. The wavelength range of the G-PON downstream signal is referred to as the "basic band". Reserved bands are referred to as the "enhancement band". Applications for the enhancement band include video services and NGA services. The wavelength range for video services remains as defined in [ITU-T G.983.3].

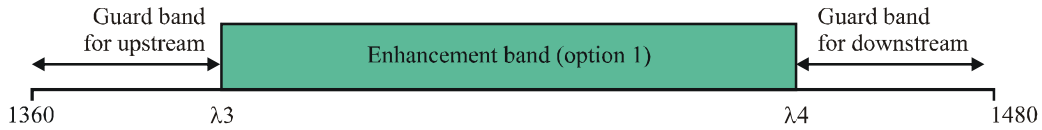
A guard band separates the G-PON upstream and/or basic band from the enhancement band. Interference between signals in these two bands causes signal degradation to each. This signal degradation must be kept to a negligible level. Wavelength blocking filters (WBFs) are used to obtain the required isolation outside the guard band. The wavelength values specified in Table 1 take into account guard bands that may be achievable by commercially available low-cost WBFs.

NOTE – Wavelengths in the enhancement band may be used not only for downstream but also for upstream signal transmission in the WDM scheme.

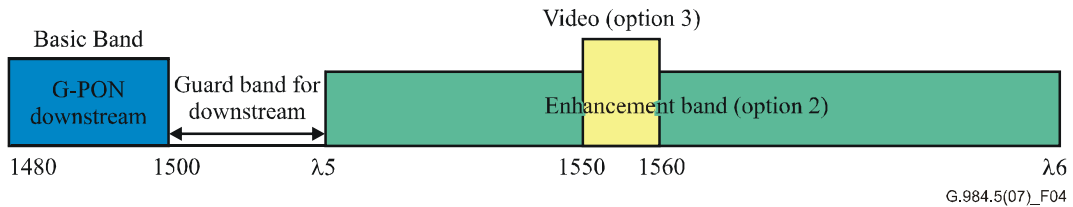
1.3  $\mu\text{m}$  wavelength band (upstream)



Intermediate wavelength band (upstream and/or downstream)



1.5  $\mu\text{m}$  wavelength band (upstream and/or downstream)



**Figure 4 – Wavelength allocation**

**Table 1 – Parameters for wavelength allocation**

Items	Notation	Unit	Nominal value	Application examples
1.3 $\mu\text{m}$ wavelength band				For use in G-PON upstream.
– Regular wavelength band option				
Lower limit	$\lambda_1$	nm	1 260	e.g., ONUs based on Fabry-Perot lasers.
Upper limit	$\lambda_2$	nm	1 360	
– Reduced wavelength band option				
Lower limit	$\lambda_1$	nm	1 290	e.g., ONUs based on ordinary DFB lasers.
Upper limit	$\lambda_2$	nm	1 330	
– Narrow wavelength band option				
Lower limit	$\lambda_1$	nm	1 300	e.g., ONUs based on wavelength selected lasers.
Upper limit	$\lambda_2$	nm	1 320	
Enhancement band (option 1-1)				For next generation access (NGA). (See Note 2)
Lower limit	$\lambda_3$	nm	1 415 <i>(Informative)</i>	
Upper limit	$\lambda_4$	nm	1 450 <i>(Informative)</i>	
Enhancement band (option 1-2)				For next generation access (NGA). Applicable for low-water-peak fibre only. (See Note 3)
Lower limit	$\lambda_3$	nm	1 400 <i>(Informative)</i>	
Upper limit	$\lambda_4$	nm	1 450 <i>(Informative)</i>	

**Table 1 – Parameters for wavelength allocation**

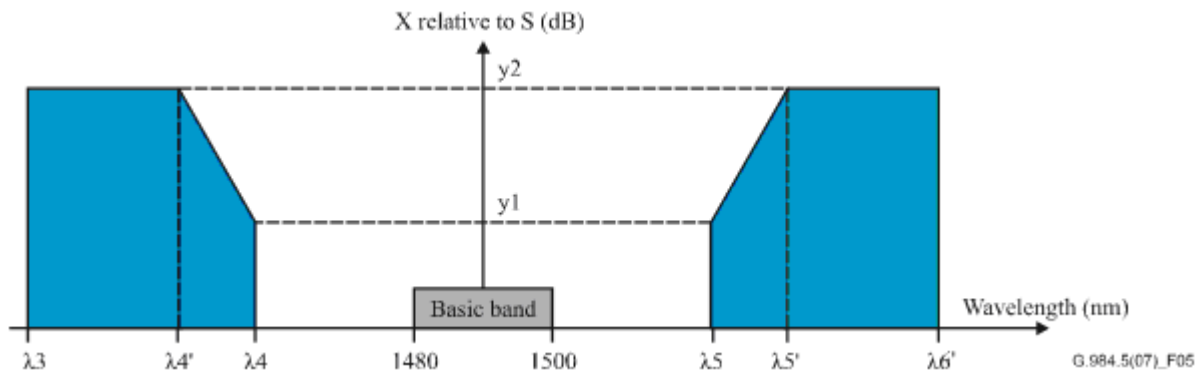
Items	Notation	Unit	Nominal value	Application examples
Basic band				For use in G-PON downstream.
Lower limit	–	nm	1 480	
Upper limit	–	nm	1 500	
Enhancement band (option 2, see Note 1)				For next generation access (NGA). (See Note 4 and Note 5)
Lower limit	$\lambda_5$	nm	1 530	
Upper limit	$\lambda_6$	nm	1 580 to 1 625	
Enhancement band (option 3, see Note 1)				For video distribution service.
Lower limit	–	nm	1 550	
Upper limit	–	nm	1 560	
<p>NOTE 1 – Additional guard bands are needed in the case of the coexistence of option 2 and option 3 (see Appendix II).</p> <p>NOTE 2 – The values are informative. The loss in this band is not guaranteed in optical branching components for PON (i.e., power splitters) as specified in [ITU-T G.671] nor in optical fibres specified as G.652A and G.652B (non-low-water-peak fibres).</p> <p>NOTE 3 – The values are informative. The loss in this band is not guaranteed in optical branching components for PON (i.e., power splitters) as specified in [ITU-T G.671].</p> <p>NOTE 4 – The value of 1530 nm assumes use of the wavelength for downstream NGA transmission. If it is used for upstream transmission, the value can be smaller.</p> <p>NOTE 5 – The upper-limit value is determined as an operator choice from 1580 to 1625 nm taking into account the following factors:</p> <ul style="list-style-type: none"> <li>– Bending loss of optical fibre that increases at longer wavelengths.</li> <li>– Loss of a filter that separates/combines a monitoring signal and NGA signal(s) (if an optical monitoring system is used).</li> </ul>				

## 8 X/S tolerance of G-PON ONU

The minimum optical sensitivity requirements of a G-PON ONU must be met in the presence of the interference signals caused by NGA and/or video signals in the enhancement bands specified in Table 1. To minimize the effect of interference signals, G-PON ONUs need to isolate interference signals using an appropriate WBF and WDM filter. This Recommendation does not specify the isolation characteristics of the WBF and WDM filters themselves, but does specify the X/S tolerance of the G-PON ONU.

In Figure 5, S is the optical power of the basic band signal and X is the optical power of the interference signal(s). Both S and X are measured at the point IF<sub>G-PON</sub> on the optical network unit (ONU) side of the network shown in Figures 2 and 3. Figure 5 shows the X/S tolerance mask that should not cause the sensitivity of the basic band receiver to fail to meet the specified limit. Implementers need to specify the isolation characteristics of the WBF and WDM filter needed to obtain enough isolation of the interference signal(s) that will allow the sensitivity requirements to be respected in the presence of this level of interference. In the case of coexistence with G-PON, the wavelengths and total optical launch power of additional services including NGA and video services must be considered with reference to Figure 5.

The interference signal format for measuring X/S tolerance should be NRZ pseudo-random coded with the same bit rate as the G-PON downstream signal or with a lower bit rate within the bandwidth of the basic band receiver.



Wavelength (nm)	$\lambda_3$	$\lambda_{4'}$	$\lambda_4$	$\lambda_5$	$\lambda_{5'}$	$\lambda_{6'}$
	1415/1400 (Informative)	1441 (Informative)	1450 (Informative)	1530	1539	1675
X relative to S (dB)	y2	y2	y1	y1	y2	y2
	22 (Informative)	22 (Informative)	7 (Informative)	7	22	22

S Received power of basic band

X Maximum total power of NGA and video received in the blocking wavelength range

X/S Inside the mask (hatching area) should not cause the sensitivity of the basic band receiver to fail to meet the specified limit

NOTE –  $\lambda_3$  value of 1400 (Informative) may be applicable for low-water-peak fibre only.

**Figure 5 – X/S tolerance mask for ONU**

## Appendix I

### Example of WDM1, WDM1r, CEx and CEMx characteristics

(This appendix does not form an integral part of this Recommendation.)

The WDM1, WDM1r, CEx and CEMx devices can have several different configurations depending on whether a video overlay service or an optical time-domain reflectometer (OTDR) is provided. This appendix presents several examples of device characteristics.

The first example given of a WDM1 filter was defined in the first approved version of this Recommendation (released in September 2007). This WDM1 filter is hereby obsoleted, as the wavelength plan for NGA systems has become incompatible with its definition. Its description is retained below for historical reference.

The subsequent examples of filters (from Table I.2 to Table I.6 and Figure I.2 to Figure I.7) are termed "WDM1r" to signify that they are revised specifications that reflect the approved newer wavelength plan for NGA systems. There are two examples of the NGA interface: a single-fibre NGA interface and a deprecated dual-fibre NGA interface. There are four examples of added wavelength service ports: none, video, OTDR and video+OTDR. There are two upstream wavelength plans for the G-PON interface that allow coexistence with NGA.

The next examples of devices (from Table I.7 to Table I.10 and Figure I.8 to Figure I.11) are termed "CEx", and support the coexistence of NG-PON2 with legacy PON systems.

The final examples of devices (from Table I.11 to Table I.14 and Figure I.12 to Figure I.15) are termed "CEM" to signify that they include the functions of CEx and partial wavelength multiplexer (WM) which combine/isolate the TWDM PON and PtP WDM PON bands.

The isolation values in the following tables may be determined depending on the application and they can be calculated using the methods described in Appendix III.

In the following tables (except for Table I.3), G-PON with reduced upstream band is considered as an example. The values of insertion loss for G-PON with narrow upstream band are expected to be the same.

Table I.1 shows sample parameters of the deprecated WDM1 filter that combines (downstream) and isolates (upstream) the G-PON up/down signals and enhancement band. Figure I.1 shows the reference diagram of WDM1.

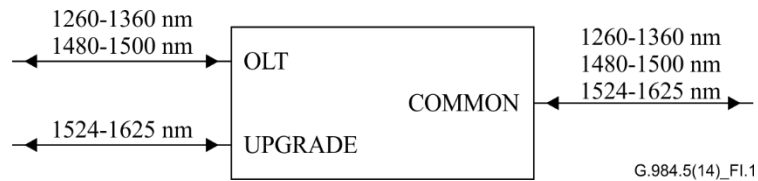
**Table I.1 – Parameters for WDM1 (deprecated)**

Specification	Value
Loss without connectors – G-PON wavelength span	< 0.7 dB (1260-1500 nm)
Loss without connectors for enhancement bands	< 1.0 dB (1524-1625 nm)
Isolation – COM – OLT (1524-1625 nm)	To be determined (> 30 dB (higher values may be required depending on the application))
Isolation – COM – UPGRADE (1480-1500 nm, 1260-1360 nm)	> 30 dB
Maximum optical power	+23 dBm



**Table I.1 – Parameters for WDM1 (deprecated)**

Specification	Value
Return loss	> 50 dB
Directivity	> 50 dB
NOTE 1 – The wavelength range of 1524-1530 nm should not be used by NGA downstream signals. NOTE 2 – The specification of WDM1 in the range of 1625-1660 nm for applications such as inserting an OTDR signal onto the PON is for future study.	

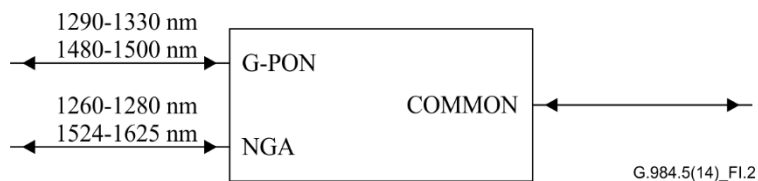


**Figure I.1 – Reference diagram of WDM1 (deprecated)**

Table I.2 shows sample parameters of the single-fibre WDM1r filter that combines (downstream) and isolates (upstream) the G-PON up/down signals and NGA bands. Figure I.2 shows the reference diagram of the single-fibre WDM1r.

**Table I.2 – Parameters for a WDM1r with G-PON and NGA ports**

Specification	Value
Loss without connectors for G-PON bands	< 0.8 dB (1290-1330 nm and 1480-1500 nm)
Loss without connectors for NGA bands	< 1.0 dB (1260-1280 nm and 1524-1625 nm)
Isolation – COM – G-PON OLT (1260-1280 nm and 1524-1625 nm)	DBA (see Appendix III)
Isolation – COM – NGA OLT (1290-1500 nm)	DBA (see Appendix III)
Maximum optical power	+23 dBm
Return loss	> 50 dB
Directivity	> 50 dB

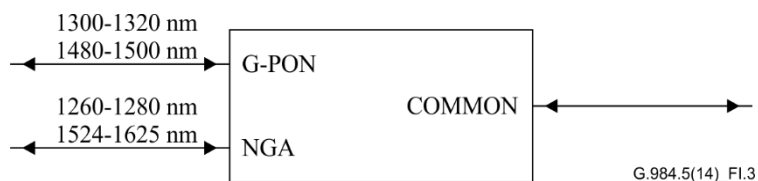


**Figure I.2 – Reference diagram of a WDM1r with G-PON and NGA support**

Table I.3 shows sample parameters of the single-fibre WDM1rn filter that combines (downstream) and isolates (upstream) the G-PON up/down signals and NGA bands. The WDM1rn can be used when all of the G-PON ONUs comply with the narrow upstream wavelength option. Figure I.3 shows a reference diagram of a single-fibre WDM1rn.

**Table I.3 – Parameters for a WDM1rn with narrow upstream wavelength G-PON and NGA ports**

Specification	Value
Loss without connectors for G-PON bands	< 0.8 dB (1300-1320 nm and 1480-1500 nm)
Loss without connectors for NGA bands	< 1.0 dB (1260-1280 nm and 1524-1625 nm)
Isolation – COM – G-PON OLT (1260-1280 and 1524-1625 nm)	DBA (see Appendix III)
Isolation – COM – NGA OLT (1300-1500 nm)	DBA (see Appendix III)
Max optical power	+23 dBm
Return loss	> 50 dB
Directivity	> 50 dB



**Figure I.3 – Reference diagram of a WDM1rn with narrow upstream wavelength G-PON and NGA support**

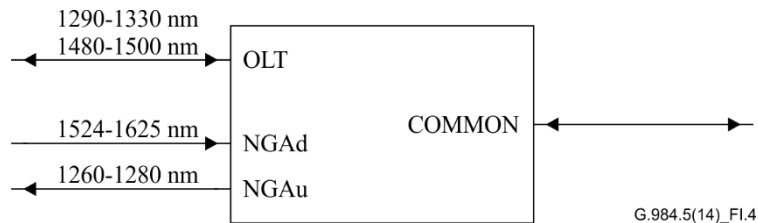
Table I.4 shows sample parameters of the deprecated dual-fibre WDM1r filter that combines (downstream) and isolates (upstream) the G-PON up/down signals and NGA bands. Figure I.4 shows the reference diagram of the dual-fibre WDM1r.

**Table I.4 – Parameters for a dual-fibre WDM1r with G-PON and NGA ports (deprecated)**

Specification	Value
Loss without connectors for G-PON bands	< 0.8 dB (1290-1330 nm and 1480-1500 nm)
Loss without connectors for NGAd band	< 0.8 dB (1575-1581 nm)
Loss without connectors for NGAu band	< 0.8 dB (1260-1280 nm)
Isolation – COM – G-PON OLT (1260-1280 and 1524-1625 nm)	To be determined (> 30 dB (higher values may be required depending on the application))
Isolation – COM – NGAd OLT (1480-1500 nm, 1260-1360 nm)	N/A
Isolation – COM – NGAu OLT (1480-1625 nm, 1290-1360 nm)	To be determined (> 30 dB (higher values may be required depending on the application))
Maximum optical power	+23 dBm

**Table I.4 – Parameters for a dual-fibre WDM1r with G-PON and NGA ports (deprecated)**

Specification	Value
Return loss	> 50 dB
Directivity	> 50 dB

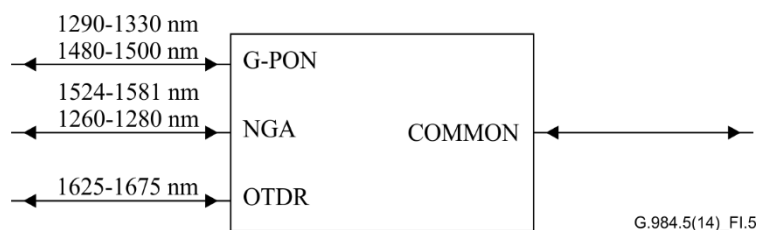


**Figure I.4 – Reference diagram of a dual-fibre WDM1r with G-PON and NGA support (deprecated)**

Table I.5 shows sample parameters of the single-fibre WDM1r filter supporting OTDR capability. The wavelength range assumed for the OTDR is referred from [ITU-T L.66]. Note that the wavelength range of the NGA port changes when these optional ports are present. Figure I.5 shows the reference diagram of this filter.

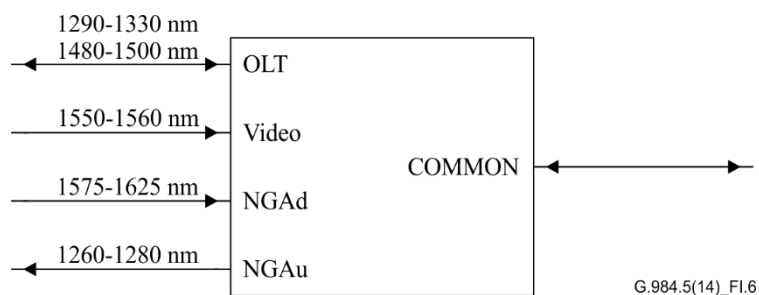
**Table I.5 – Parameters for a WDM1r with G-PON, NGA and OTDR ports**

Specification	Value
Loss without connectors for G-PON bands	$\leq 1.0$ dB (1290-1330 nm and 1480-1500 nm)
Loss without connectors for NGA bands	$\leq 1.2$ dB (1260-1280 nm and 1524-1581 nm)
Loss without connectors for OTDR band	$\leq 1.1$ dB (1625-1675 nm)
Isolation – COM – G-PON OLT (1260-1280 and 1524-1675 nm)	DBA (see Appendix III)
Isolation – COM – NGA OLT (1290-1500 nm and 1600-1675 nm)	DBA (see Appendix III)
Isolation – COM – OTDR (1260-1581 nm)	DBA (see Appendix III)
Maximum optical power for G-PON or NGA ports	+23 dBm
Maximum optical power for OTDR port	For further study
Return loss	> 50 dB
Directivity	> 50 dB



**Figure I.5 – Reference diagram of a WDM1r with G-PON, NGA and OTDR support**

Figure I.6 shows the reference diagram of the deprecated dual-fibre WDM1r with video support.

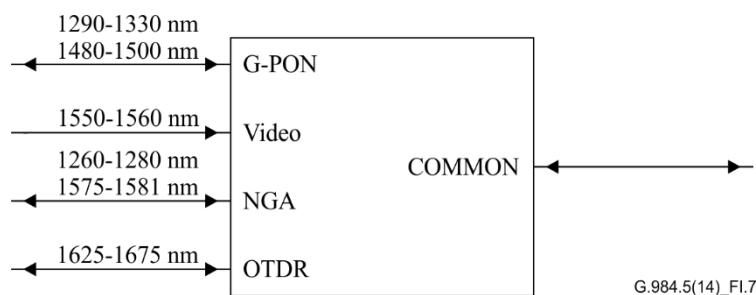


**Figure I.6 – Reference diagram of a dual-fibre WDM1r with G-PON, video and NGA support (deprecated)**

Table I.6 shows sample parameters of a single-fibre WDM1r filter supporting OTDR and video capability. Note that the wavelength range of the NGA port changes when these optional ports are present. Figure I.7 shows the reference diagram of this filter.

**Table I.6 – Parameters for WDM1r with G-PON, RF video, NGA and OTDR ports**

Specification	Value
Loss without connectors for G-PON bands	$\leq 1.0$ dB (1290-1330 nm and 1480-1500 nm)
Loss without connectors for NGA bands	$\leq 1.5$ dB (1260-1280 nm and 1575-1581 nm)
Loss without connectors for OTDR band	$\leq 1.1$ dB (1625-1675 nm)
Loss without connectors for RF video band	$\leq 1.7$ dB (1550-1560 nm)
Isolation – COM – G-PON OLT (1260-1280 and 1550-1675 nm)	DBA (See Appendix III)
Isolation – COM – NGA OLT (1290-1560 nm and 1625-1675 nm)	DBA (see Appendix III)
Isolation – COM – OTDR (1260-1581 nm)	DBA (see Appendix III)
Isolation – COM – RF video (1260-1500 nm, 1575-1675 nm)	NA (RF is downstream only)
Maximum optical power for G-PON or NGA ports	+23 dBm
Maximum optical power for OTDR port	For further study
Maximum optical power for RF video port	+23 dBm
Return loss	> 50 dB
Directivity	> 50 dB

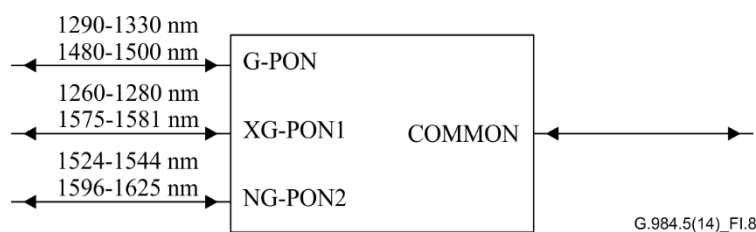


**Figure I.7 – Reference diagram of a WDM1r with G-PON, RF video, NGA and OTDR support**

Table I.7 shows sample parameters of a CEx supporting G-PON (reduced upstream band as an example), XG-PON1 and NG-PON2 (wide range TWDM PON upstream band and shared spectrum PtP WDM PON as an example). Figure I.8 shows the reference diagram of this device.

**Table I.7 – Parameters for a CEx with G-PON, XG-PON1 and NG-PON2 ports**

Specification	Value
Loss without connectors for G-PON bands	$\leq 0.8$ dB (1290-1330 nm and 1480-1500 nm)
Loss without connectors for XG-PON1 bands	$\leq 1.1$ dB (1260-1280 nm and 1575-1581 nm)
Loss without connectors for NG-PON2 bands	$\leq 1.0$ dB (1524-1544 nm and 1596-1625 nm)
Isolation – COM – G-PON OLT (1260-1280 nm and 1524-1675 nm)	DBA (see Appendix III)
Isolation – COM – XG-PON1 OLT (1290-1560 nm and 1596-1675 nm)	DBA (see Appendix III)
Isolation – COM – NG-PON2 (1260-1500 nm, 1550-1581 nm and 1640-1675 nm)	DBA (see Appendix III)
Maximum optical power	+23 dBm
Return loss	> 50 dB
Directivity	> 50 dB

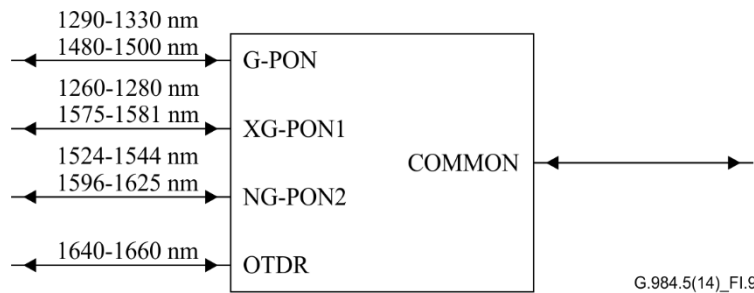


**Figure I.8 – Reference diagram of a CEx with G-PON, XG-PON1 and NG-PON2 support**

Table I.8 shows sample parameters of a CEx supporting G-PON (reduced upstream band as an example), XG-PON1 and NG-PON2 (wide range TWDM PON upstream band and shared spectrum PtP WDM PON as an example) and OTDR (with wavelength range of 1640-1660 nm as an example) capability. Figure I.9 shows the reference diagram of this device.

**Table I.8 – Parameters for a CEx with G-PON, XG-PON1, NG-PON2 and OTDR ports**

Specification	Value
Loss without connectors for G-PON bands	$\leq 0.8$ dB (1290-1330 nm and 1 480-1 500 nm)
Loss without connectors for XG-PON1 bands	$\leq 1.1$ dB (1260-1280 nm and 1575-1581 nm)
Loss without connectors for NG-PON2 bands	$\leq 1.2$ dB (1524-1 544 nm and 1596-1625 nm)
Loss without connectors for OTDR band	$\leq 1.4$ dB (1640-1660 nm)
Isolation – COM – G-PON OLT (1260-1280 nm and 1524-1675 nm)	DBA (see Appendix III)
Isolation – COM – XG-PON1 OLT (1290-1560 nm and 1596-1675 nm)	DBA (see Appendix III)
Isolation – COM – NG-PON2 (1260-1500 nm, 1550-1581 nm and 1640-1675 nm)	DBA (see Appendix III)
Isolation – COM – OTDR (1260-1625 nm)	DBA (see Appendix III)
Maximum optical power for G-PON, XG-PON1 or NG-PON2 ports	+23 dBm
Maximum optical power for OTDR port	For further study
Return loss	> 50 dB
Directivity	> 50 dB

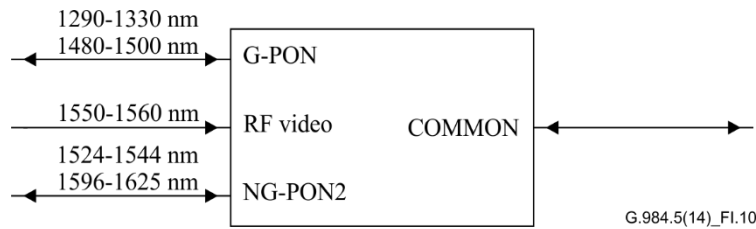


**Figure I.9 – Reference diagram of a CEx with G-PON, XG-PON1, NG-PON2 and OTDR support**

Table I.9 shows sample parameters of a CEx supporting G-PON (reduced upstream band as an example), RF video and NG-PON2 (wide range TWDM PON upstream band and shared spectrum PtP WDM PON as an example). Figure I.10 shows the reference diagram of this device.

**Table I.9 – Parameters for a CEx with G-PON, RF video and NG-PON2 ports**

Specification	Value
Loss without connectors for G-PON bands	≤ 0.8 dB (1290-1330 nm and 1480-1500 nm)
Loss without connectors for RF video band	≤ 0.8 dB (1550-1560 nm)
Loss without connectors for NG-PON2 bands	≤ 1.0 dB (1524-1544 nm and 1596-1625 nm)
Isolation – COM – G-PON OLT (1260-1280 and 1524-1675 nm)	DBA (see Appendix III)
Isolation – COM – RF video (1260-1544 nm, 1575-1675 nm)	NA (RF is downstream only)
Isolation – COM – NG-PON2 OLT (1260-1500 nm, 1550-1581 nm and 1640-1675 nm)	DBA (see Appendix III)
Maximum optical power for G-PON or NG-PON2 ports	+23 dBm
Maximum optical power for RF video port	+23 dBm
Return loss	> 50 dB
Directivity	> 50 dB



**Figure I.10 – Reference diagram of a CEx with G-PON, RF video and NG-PON2 support**

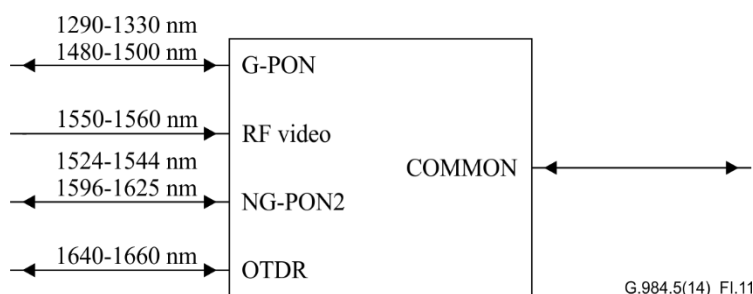
Table I.10 shows sample parameters of a CEx supporting G-PON (reduced upstream band as an example), RF video, NG-PON2 (wide range TWDM PON upstream band and shared spectrum PtP WDM PON as an example) and OTDR (with a wavelength range of 1640-1660 nm as an example) capability. Figure I.11 shows the reference diagram of this device.

**Table I.10 – Parameters for a CEx with G-PON, RF video, NG-PON2 and OTDR ports**

Specification	Value
Loss without connectors for G-PON bands	≤ 0.8 dB (1290-1330 nm and 1480-1500 nm)
Loss without connectors for RF video band	≤ 1.0 dB (1550-1560 nm)
Loss without connectors for NG-PON2 bands	≤ 1.1 dB (1524-1544 nm and 1596-1625 nm)
Loss without connectors for OTDR band	≤ 1.3 dB (1640-1660 nm)
Isolation – COM – G-PON OLT (1260-1280 nm and 1524-1675 nm)	DBA (see Appendix III)
Isolation – COM – RF video (1260-1544 nm, 1575-1675 nm)	NA (RF is downstream only)
Isolation – COM – NG-PON2 OLT (1260-1500 nm, 1550-1581 nm and 1640-1675 nm)	DBA (see Appendix III)
Isolation – COM – OTDR (1260-1625 nm)	DBA (see Appendix III)

**Table I.10 – Parameters for a CEx with G-PON, RF video, NG-PON2 and OTDR ports**

Specification	Value
Maximum optical power for G-PON or NG-PON2 ports	+23 dBm
Maximum optical power for RF video port	+23 dBm
Maximum optical power for OTDR port	For further study
Return loss	> 50 dB
Directivity	> 50 dB



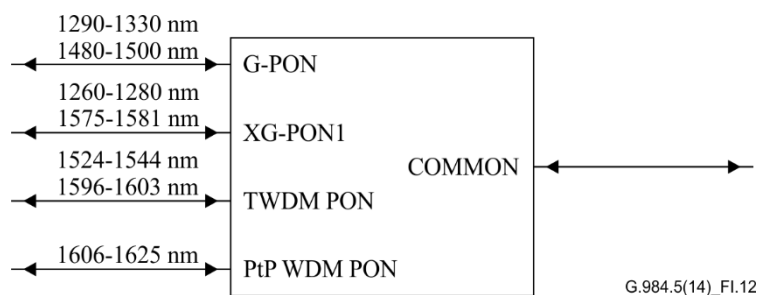
**Figure I.11 – Reference diagram of a CEx with G-PON, RF video, NG-PON2 and OTDR support**

Table I.11 shows sample parameters of a CEMx supporting G-PON (reduced upstream band as an example), XG-PON1, TWDM PON (wide range upstream band as an example) and PtP WDM PON (shared spectrum as an example) capability. Figure I.12 shows the reference diagram of this device.

**Table I.11 – Parameters for a CEMx with G-PON, XG-PON1, TWDM PON and PtP WDM PON ports**

Specification	Value
Loss without connectors for G-PON bands	≤ 0.8 dB (1 290-1 330 nm and 1 480-1 500 nm)
Loss without connectors for XG-PON1 bands	≤ 1.1 dB (1 260-1 280 nm and 1 575-1 581 nm)
Loss without connectors for TWDM PON bands	≤ 1.2 dB (1 524-1 544 nm and 1 596-1 603 nm)
Loss without connectors for PtP WDM PON band	≤ 1.3 dB (1 606-1 625 nm)
Isolation – COM – G-PON OLT (1 260-1 280 nm and 1 524-1 675 nm)	DBA (see Appendix III)
Isolation – COM – XG-PON1 OLT (1 290-1 560 nm and 1 596-1 675 nm)	DBA (see Appendix III)
Isolation – COM – TWDM PON OLT (1 260-1 500 nm, 1 550-1 581 nm and 1 606-1 675 nm)	DBA (see Appendix III)
Isolation – COM – PtP WDM PON OLT (1 260-1 603 nm and 1 640-1 675 nm)	DBA (see Appendix III)
Maximum optical power	+23 dBm
Return Loss	> 50 dB
Directivity	> 50 dB



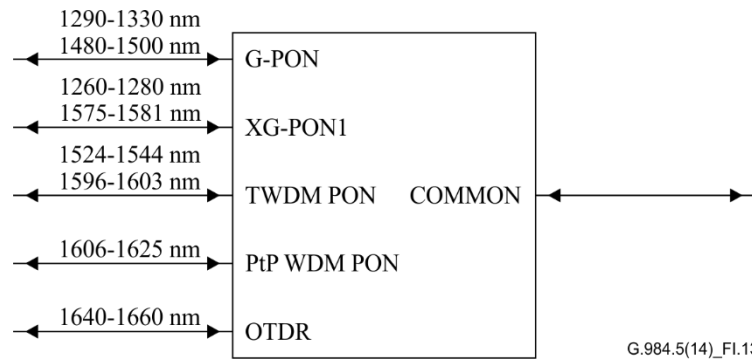


**Figure I.12 – Reference diagram of a CEMx with G-PON, XG-PON, TWDM PON and PtP WDM PON support**

Table I.12 shows sample parameters of a CEMx supporting G-PON (reduced upstream band as an example), XG-PON1, TWDM PON (wide range upstream band as an example), PtP WDM PON (shared spectrum as an example) and OTDR (with wavelength range of 1640-1660 nm as an example) capability. Figure I.13 shows the reference diagram of this device.

**Table I.12 – Parameters for a CEMx with G-PON, XG-PON, TWDM PON, PtP WDM PON and OTDR ports**

Specification	Value
Loss without connectors for G-PON bands	≤ 0.8 dB (1290-1330 nm and 1480-1500 nm)
Loss without connectors for XG-PON1 bands	≤ 1.1 dB (1260-1280 nm and 1575-1581 nm)
Loss without connectors for TWDM PON bands	≤ 1.4 dB (1524-1544 nm and 1596-1603 nm)
Loss without connectors for PtP WDM PON band	≤ 1.3 dB (1606-1625 nm)
Loss without connectors for OTDR band	≤ 1.6 dB (1640-1660 nm)
Isolation – COM – G-PON OLT (1260-1280 nm and 1524-1675 nm)	DBA (see Appendix III)
Isolation – COM – XG-PON1 OLT (1290-1560 nm and 1596-1675 nm)	DBA (see Appendix III)
Isolation – COM – TWDM PON OLT (1260-1500 nm, 1550-1581 nm and 1606-1675 nm)	DBA (see Appendix III)
Isolation – COM – PtP WDM PON OLT (1260-1603 nm and 1640-1675 nm)	DBA (see Appendix III)
Isolation – COM – OTDR (1260-1625 nm)	DBA (see Appendix III)
Maximum optical power for G-PON, XG-PON, TDM PON or PtP WDM PON ports	+23 dBm
Maximum optical power for OTDR port	For further study
Return loss	> 50 dB
Directivity	> 50 dB

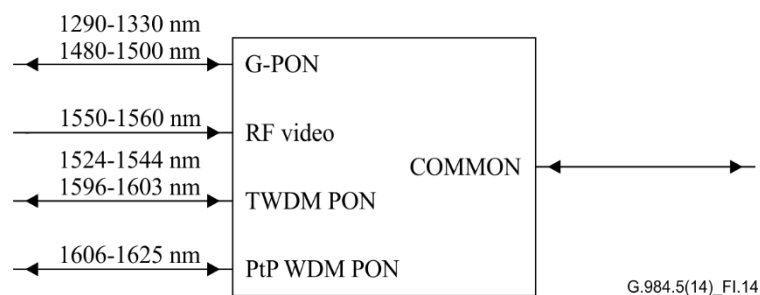


**Figure I.13 – Reference diagram of a CEMx with G-PON, XG-PON, TWDM PON, PtP WDM PON and OTDR support**

Table I.13 shows sample parameters of a CEMx supporting G-PON (reduced upstream band as an example), RF video, TWDM PON (wide range upstream band as an example) and PtP WDM PON (shared spectrum as an example) capability. Figure I.14 shows the reference diagram of this device.

**Table I.13 – Parameters for a CEMx with G-PON, RF video, TWDM PON and PtP WDM PON ports**

Specification	Value
Loss without connectors for G-PON bands	≤ 0.8 dB (1290-1330 nm and 1480-1500 nm)
Loss without connectors for RF video band	≤ 1.2 dB (1550-1560 nm)
Loss without connectors for TWDM PON bands	≤ 1.1 dB (1524-1544 nm and 1596-1603 nm)
Loss without connectors for PtP WDM PON band	≤ 0.9 dB (1606-1625 nm)
Isolation – COM – G-PON OLT (1260-1280 nm and 1524-1675 nm)	DBA (see Appendix III)
Isolation – COM – RF video (1260-1544 nm and 1575-1675 nm)	NA (RF is downstream only)
Isolation – COM – TWDM PON OLT (1260-1500 nm, 1550-1581 nm and 1606-1675 nm)	DBA (see Appendix III)
Isolation – COM – PtP WDM PON OLT (1260-1603 nm and 1640-1675 nm)	DBA (see Appendix III)
Maximum optical power for G-PON, TWDM PON or PtP WDM PON ports	+23 dBm
Maximum optical power for RF video port	+23 dBm
Return loss	> 50 dB
Directivity	> 50 dB

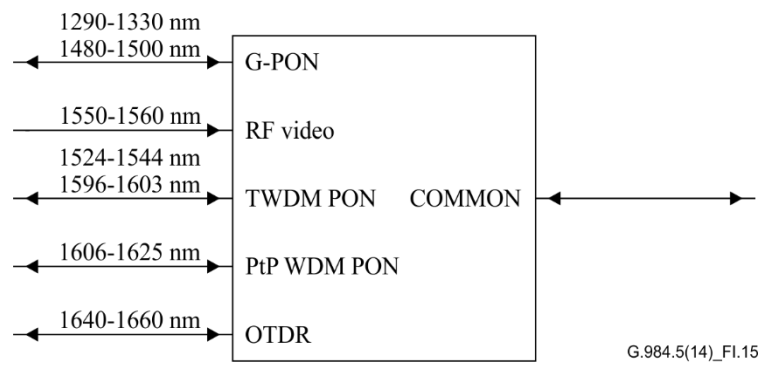


**Figure I.14 – Reference diagram of a CEMx with G-PON, RF video, TWDM PON and PtP WDM PON support**

Table I.14 shows sample parameters of a CEMx supporting G-PON (reduced upstream band as an example), RF video, TWDM PON (wide range upstream band as an example), PtP WDM PON (shared spectrum as an example) and OTDR (with a wavelength range of 1640-1660 nm as an example) capability. Figure I.15 shows the reference diagram of this device.

**Table I.14 – Parameters for a CEMx with G-PON, RF video, TWDM PON, PtP WDM PON and OTDR ports**

Specification	Value
Loss without connectors for G-PON bands	≤ 0.8 dB (1290-1330 nm and 1480-1500 nm)
Loss without connectors for RF video band	≤ 1.2 dB (1550-1560 nm)
Loss without connectors for TWDM PON bands	≤ 1.3 dB (1524-1544 nm and 1596-1603 nm)
Loss without connectors for PtP WDM PON band	≤ 0.9 dB (1606-1625 nm)
Loss without connectors for OTDR band	≤ 1.5 dB (1640-1660 nm)
Isolation – COM – G-PON OLT (1260-1280 nm and 1524-1675 nm)	DBA (see Appendix III)
Isolation – COM – RF video (1260-1544 nm, 1575-1675 nm)	NA (RF is downstream only)
Isolation – COM – TWDM PON OLT (1260-1500 nm, 1550-1581 nm and 1606-1675 nm)	DBA (see Appendix III)
Isolation – COM – PtP WDM PON OLT (1260-1603 nm and 1640-1675 nm)	DBA (see Appendix III)
Isolation – COM – OTDR (1260-1625 nm)	DBA (see Appendix III)
Maximum optical power for G-PON, TWDM PON or PtP WDM PON ports	+23 dBm
Maximum optical power for RF video port	+23 dBm
Maximum optical power for OTDR port	For further study
Return loss	> 50 dB
Directivity	> 50 dB



**Figure I.15 – Reference diagram of a CEMx with G-PON, RF video, TWDM PON, PtP WDM PON and OTDR support**

## Appendix II

### Examples of wavelength allocation for NGA services and video distribution services

(This appendix does not form an integral part of this Recommendation.)

#### II.1 Introduction

Considering the possible network scenarios that allow the coexistence of G-PON, NGA and video services, it is assumed that additional guard bands are needed at both sides of the video band to avoid interference which could cause the degradation of video CNR performances of the video receiver. To take the guard bands for both basic band and video into account, the wavelength range between basic band and video may not be applicable for NGA downstream signals. Figure II.1 shows the wavelength plan of the 1.5  $\mu\text{m}$  wavelength band for these scenarios. The ranges of the guard bands depend on the filter characteristics of the video band pass filter and the performance of the video receiver. In this clause, two types of filters are considered. One is the integrated filter within the G-PON ONU transceiver such as triplexer type transceiver and the other is the discrete filter outside of the G-PON diplexer type transceiver and the video receiver. The examples of wavelength allocation and filter characteristics for each case are provided below.

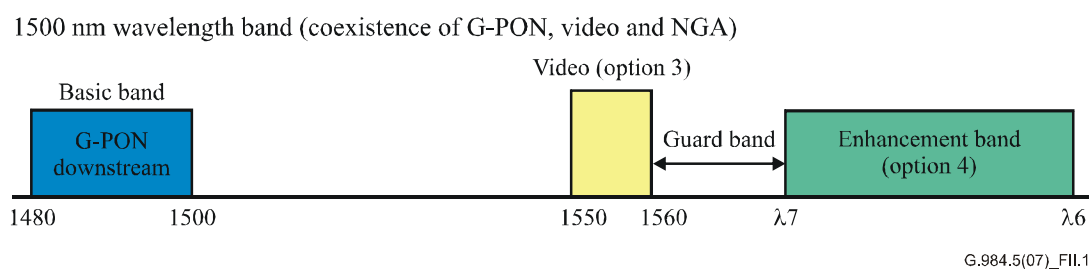
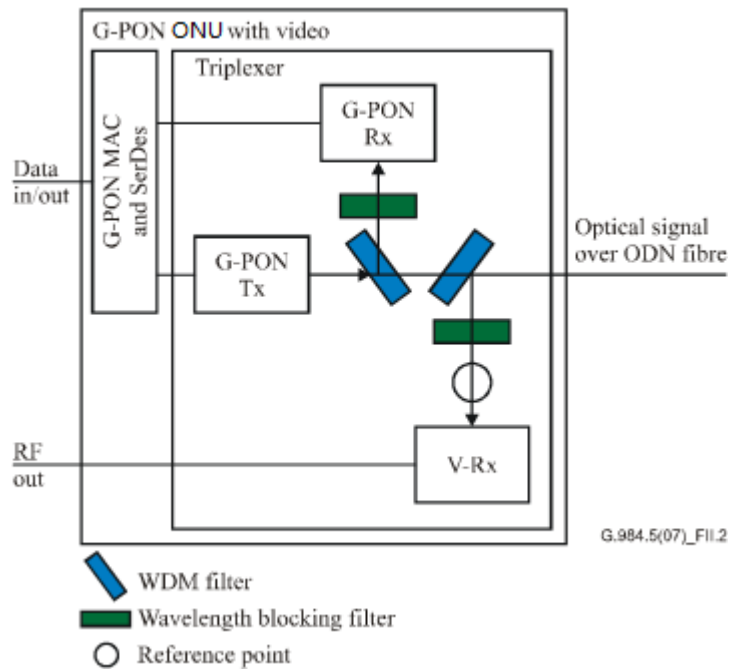


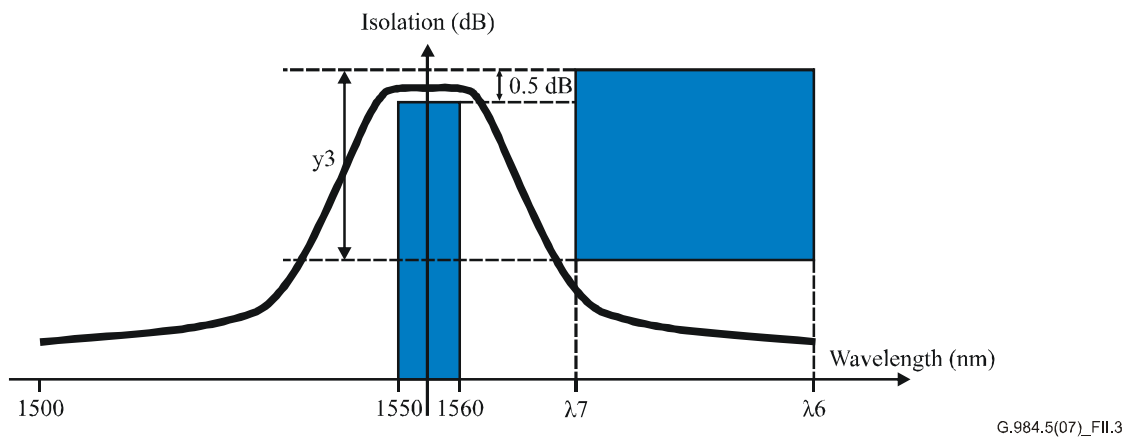
Figure II.1 – Wavelength allocation

#### II.2 Case 1: Integrated filter for video

Figure II.2 shows an example configuration of a G-PON ONU using a triplexer type transceiver including an integrated video filter. This figure does not intend to limit filter configurations of the triplexer. Filter configurations may be different in each implementation and also depend on the implementations of optics (e.g., micro-optics or PLC-based). In this figure, the isolation values at the reference point are the sum of the isolation values of the WDM filter and the wavelength blocking filter (WBF) in front of the V-Rx. Figure II.3 shows an example of isolation and Table II.1 shows an example of wavelength allocation including the tentative wavelength value of  $\lambda 7$  in Figure II.3. One of the example isolation values of  $y_3$  in Figure II.3 is 30 dB with reference to the realistic isolation performances of an integrated filter. Service operators and implementers should take the actual filter characteristics and performance of the video receiver into account when considering additional enhanced services.



**Figure II.2 – Example configuration of G-PON ONU with video (Case 1)**



**Figure II.3 – Example of integrated filter characteristics for video**

**Table II.1 – Example of wavelength allocation (Case 1)**

Items	Notation	Unit	Nominal value	Application examples
Enhancement band (option 3)				For video distribution service
Lower limit	–	nm	1550	
Upper limit	–	nm	1560	
Enhancement band (option 4)				For next generation access (NGA)
Lower limit	$\lambda 7$	nm	To be determined (1574 or 1575)	
Upper limit	$\lambda 6$	nm	1580 to 1625	
NOTE – Typically applied to the integrated filters inside the triplexer type optical transceiver.				

### II.3 Case 2: Discrete WDM filter for video

Figures II.4 and II.5 show example configurations of a G-PON ONU (and a video ONU) using discrete WDM filters. These figures do not intend to limit filter configurations. In these figures, the isolation values at the reference point are the sum of the isolation values of the discrete WDM filter and the WBF in front of the V-Rx. Figure II.6 shows an example of isolation and Table II.2 shows an example of wavelength allocation. One of the example isolation values of  $y_4$  in Figure II.6 is 35 dB with reference to the realistic isolation performances of a discrete filter. Service operators and implementers should take actual filter characteristics and performance of the video receiver into account when considering additional enhanced services.

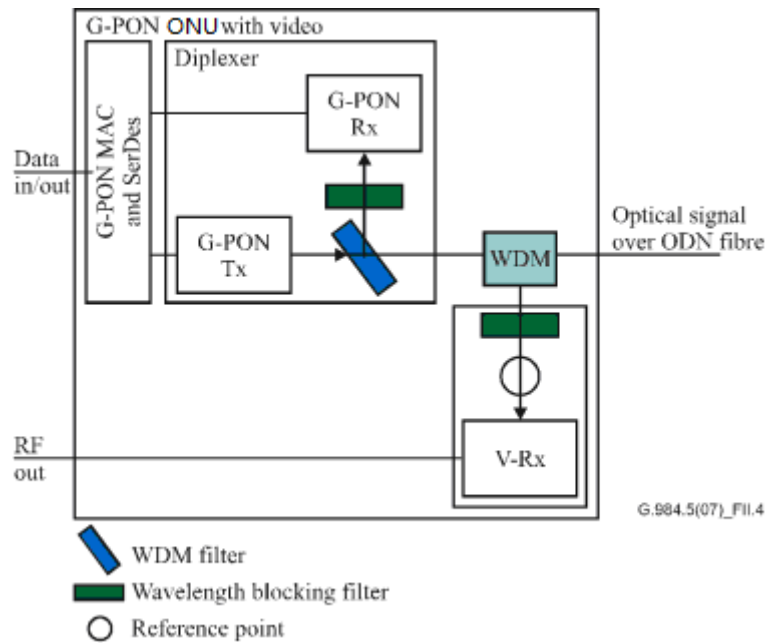


Figure II.4 – Example configuration of G-PON ONU with video (Case 2)

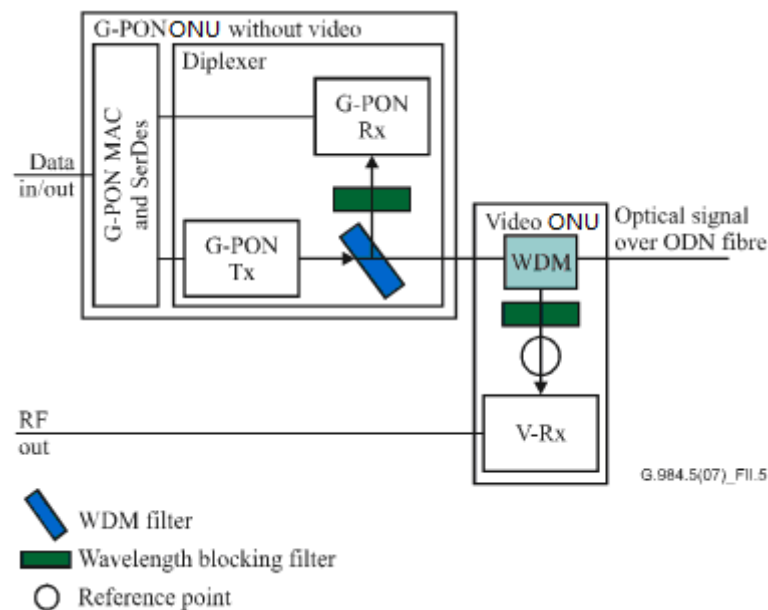
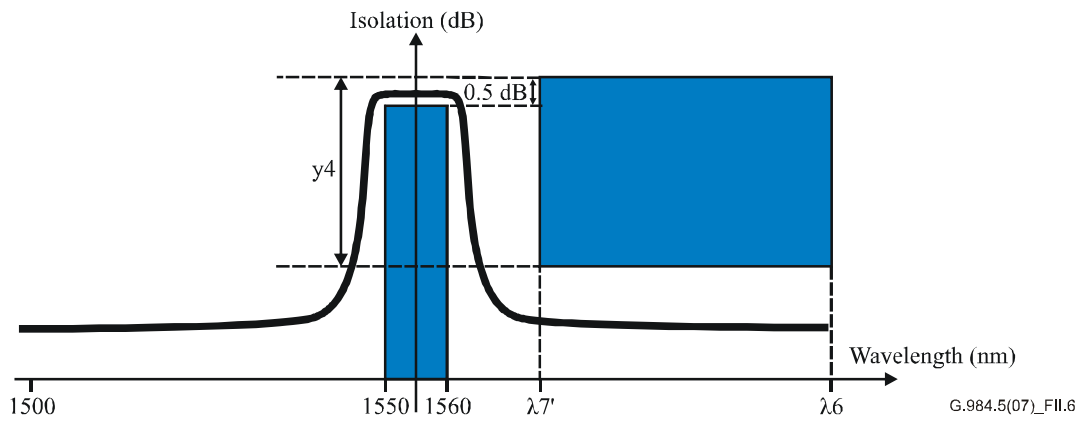


Figure II.5 – Example configuration of G-PON ONU and video ONU (Case 2)



**Figure II.6 – Example of discrete filter characteristics for video ONU**

**Table II.2 – Example of wavelength allocation (Case 2)**

Items	Notation	Unit	Nominal value	Application examples
Enhancement band (option 3)				For video distribution service
Lower limit	–	nm	1550	
Upper limit	–	nm	1560	
Enhancement band (option 5)				For next generation access (NGA)
Lower limit	$\lambda 7'$	nm	For further study	
Upper limit	$\lambda 6$	nm	1580 to 1625	



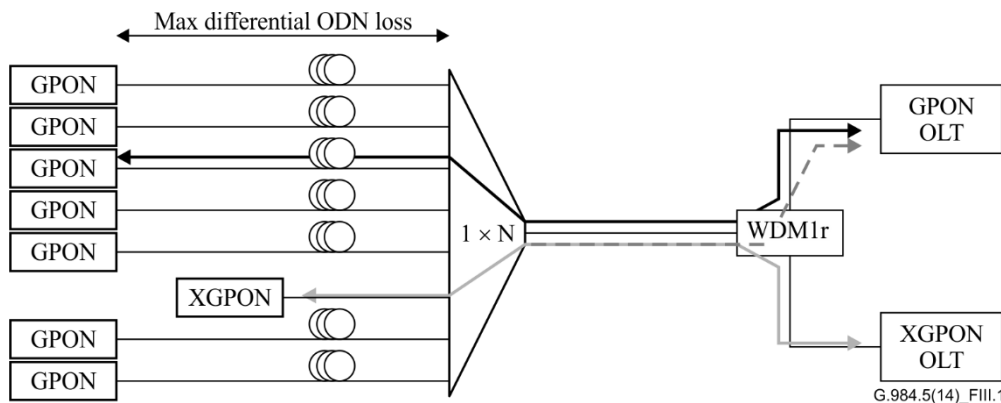
## Appendix III

### Methods for calculating required isolation for WDM/CE/CEM devices

(This appendix does not form an integral part of this Recommendation.)

This appendix provides guidance to implementers of WDM1r, CE and CEM components concerning the isolation requirements. It is not appropriate to specify a single value for the isolation requirement for each WDM1r, CE and CEM device, as it depends on the particular operational use case, so a simple formula is provided below to enable implementers to derive indicative isolation values.

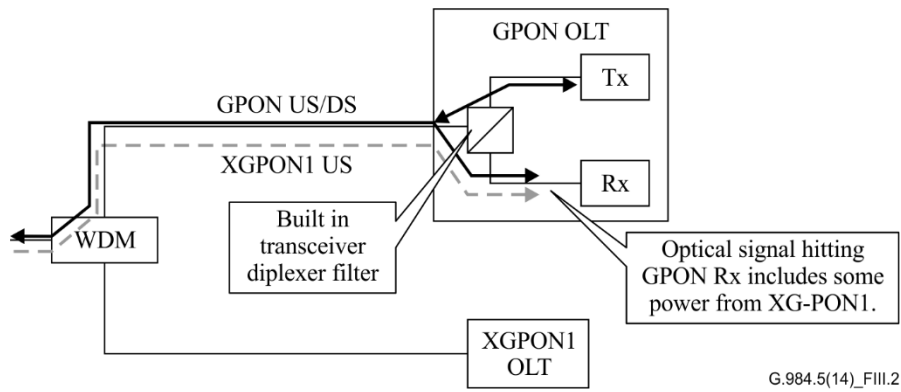
By way of example, Figure III.1 shows the assumed network topology for calculating the required isolation for the GPON port of a WDM device enabling coexistence with XG-PON1. The GPON ONUs are assumed to be at the maximum differential loss expected in the deployment and the XG-PON1 ONU is at the minimum loss i.e., their relative ODN losses are equal to the maximum expected differential loss in the ODN. Note that this does not need to be the same as the maximum differential loss supported in [ITU-T G.984.2] and [ITU-T G.987.2] if the ODN design is such that it limits the expected differential loss. The expected differential loss may be limited for example by ODN component specification or by limiting drop fibre lengths.



**Figure III.1 – Network topology assumed for calculating the required isolation for the GPON port of a WDM device enabling coexistence with XG-PON1**

In addition to being at the highest loss, the GPON ONUs are assumed to be transmitting at the lowest power permitted in [ITU-T G.984.2]. The XG-PON1 ONU is transmitting at the highest power permitted in [ITU-T G.987.2].

On the OLT side, the internal diplexer of the GPON OLT transceiver may also add some isolation that could be taken into account if known by the implementer. This is illustrated in Figure III.2. Other sources of intrinsic OLT isolation may also be considered e.g., any additional filtering in the Rx path or additional filtering inserted between the WDM and the OLT. If the isolation is not known, or if a worse case assumption is preferred, then the isolation of this diplexer (and other elements after the WDM) may be set to zero.



**Figure III.2 – Isolation factors to consider at the OLT**

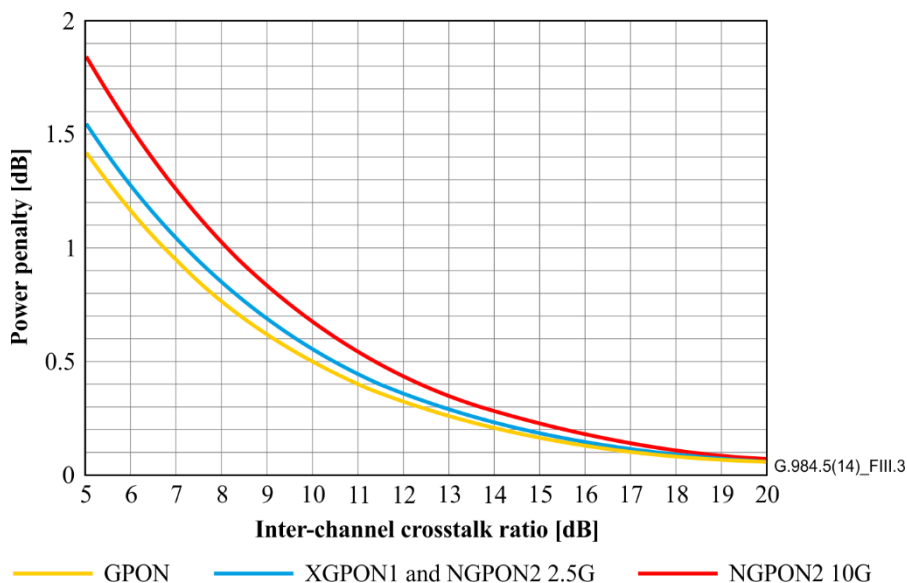
To derive the required isolation, the allowed crosstalk ratio is to be calculated at the tolerable penalty in the particular deployment scenario being considered (this is a design choice for the implementer and is not specified by ITU-T Recommendations). The following equation, taken from [ITU-T G.Sup39], for inter-channel crosstalk power penalty may be used to derive the allowed crosstalk.

For a single interfering channel:

$$P_C = 10 \log_{10} \left( 1 - 10^{\frac{C_C}{10}} \frac{r+1}{r-1} \right) \quad \text{dB} \quad (9-28)$$

where  $r$  is the linear extinction ratio.

Using this formula, the chart shown in Figure III.3 can be plotted from which the allowed crosstalk for the system design penalty assumption can be extracted. This chart shows the calculation for GPON, XG-PON1 and NG-PON2 (both 2.5G and 10G US). The source of the difference between each system is the minimum extinction ratio specification in each case i.e., 10 dB, 8.2 dB and 6 dB for GPON, XG-PON1/NG-PON2(2.5G) and NG-PON2(10G) respectively.



**Figure III.3 – Power penalty as a function of inter-channel crosstalk ratio**

The following formula may be derived for calculating the required isolation in terms of the allowed crosstalk, differential ODN loss, launch power difference between ONUs (GPON(min) – XG-PON1(max)), diplexer (or other WDM to Rx path) isolation and bandwidth ratio. All parameters are in dB.

$$I_{WDM} = XT(dB) - \Delta P + \Delta ODN - I_{BiDi} - B_{comp}$$

$I_{WDM}$ : Port isolation at the interferer wavelength for the WDM device enabling coexistence

$XT$ : Allowed inter-channel crosstalk power ratio in dB

$\Delta P$ : ONU launch power ratio in dB between the target signal (minimum) and the interfering signal (maximum)

$\Delta ODN$ : ODN loss difference in dB for the target signal (minimum) and the interfering signal (maximum)

$I_{BiDi}$ : Isolation in the receive path (external to the WDM used for coexistence) at the interferer wavelength e.g., from the internal transceiver diplexer (BiDi)

$B_{comp}$ : Relative bandwidth compensation factor to account for signal bandwidth difference between the target signal and the interfering signal as given by:

$$B_{comp}(dB) = 10 \log \left( \frac{R_{int}}{R_{target}} \right)$$

To illustrate the application of the formula, worked examples are given below:

### Example 1

For a 0.5 dB penalty to GPON in a GPON and XG-PON1 coexistence scenario the permitted inter-channel crosstalk ( $XT$ ) is approximately 10 dB (from Figure III.3).

For a B+/N1 class ODN, the power ONU launch difference ( $\Delta P$ ) is 0.5 dBm – 7 dBm = –6.5 dB.

The designed ODN loss differential ( $\Delta ODN$ ) is 5 dB.

The post WDM isolation ( $I_{BiDi}$ ) is assumed to be 2 dB.

The bit-rate compensation factor ( $B_{comp}$ ) is  $10 \log(2.5/1.25) = 3$  dB.

So, the required WDM isolation ( $I_{WDM}$ ) at the GPON port for the XG-PON1 US wavelength is:

$$10 - (-6.5) + 5 - 2 - 3 = \underline{16.5 \text{ dB.}}$$

### Example 2

For a 0.1 dB penalty to GPON in a GPON and XG-PON1 coexistence scenario, the permitted inter-channel crosstalk ( $XT$ ) is approximately 17 dB (from Figure III.3).

For a B+/N1 class ODN The power ONU launch difference ( $\Delta P$ ) is 0.5 dBm – 7 dBm = –6.5 dB.

The designed ODN loss differential ( $\Delta ODN$ ) is 10 dB.

The post WDM isolation ( $I_{BiDi}$ ) is assumed to be 0 dB.

The bit-rate compensation factor ( $B_{comp}$ ) is  $10 \log(2.5/1.25) = 3$  dB.

So, the required WDM isolation ( $I_{WDM}$ ) at the GPON port for the XG-PON1 US wavelength is:

$$17 - (-6.5) + 10 - 0 - 3 = \underline{30.5 \text{ dB.}}$$

To extend the above equation for the required WDM isolation to include multichannel systems (e.g., NG-PON2) acting as the interferer, the number of interfering channels ( $N$ ) can be included as a parameter.

$$I_{WDM} = XT - \Delta P + \Delta ODN - I_{BiDi} - B_{comp} + 10\log(N)$$

The simple analysis above assumes there is one interfering system where all the interferers are at the same line rate and power. In the event that the three systems (e.g., GPON, XG-PON1 and NG-PON2) are to coexist, the analysis becomes more complex and the details are for further study. In general terms the total interfering power needs to be carefully apportioned among the various interfering systems and wavelength channels based on their transmitter characteristics.



## SERIES OF ITU-T RECOMMENDATIONS

Series A	Organization of the work of ITU-T
Series D	General tariff principles
Series E	Overall network operation, telephone service, service operation and human factors
Series F	Non-telephone telecommunication services
<b>Series G</b>	<b>Transmission systems and media, digital systems and networks</b>
Series H	Audiovisual and multimedia systems
Series I	Integrated services digital network
Series J	Cable networks and transmission of television, sound programme and other multimedia signals
Series K	Protection against interference
Series L	Construction, installation and protection of cables and other elements of outside plant
Series M	Telecommunication management, including TMN and network maintenance
Series N	Maintenance: international sound programme and television transmission circuits
Series O	Specifications of measuring equipment
Series P	Terminals and subjective and objective assessment methods
Series Q	Switching and signalling
Series R	Telegraph transmission
Series S	Telegraph services terminal equipment
Series T	Terminals for telematic services
Series U	Telegraph switching
Series V	Data communication over the telephone network
Series X	Data networks, open system communications and security
Series Y	Global information infrastructure, Internet protocol aspects and next-generation networks
Series Z	Languages and general software aspects for telecommunication systems